

F

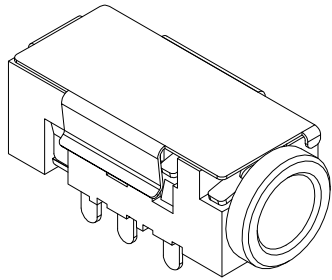
E

D

C

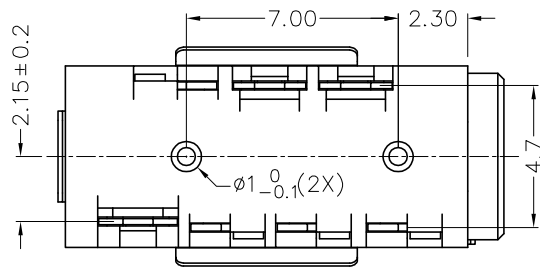
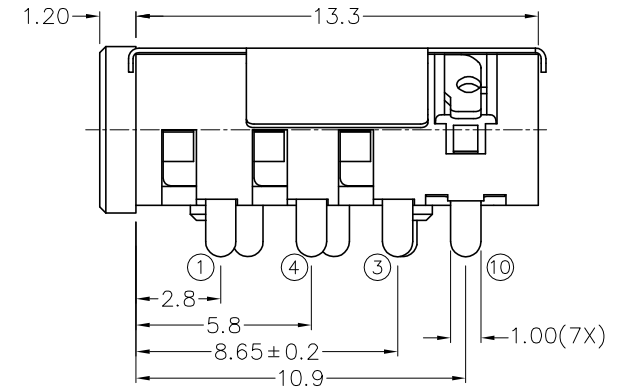
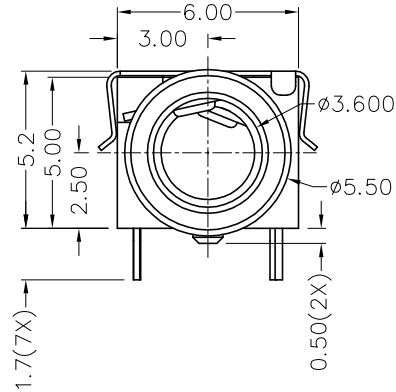
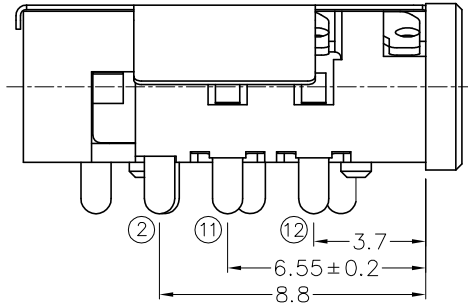
B

A



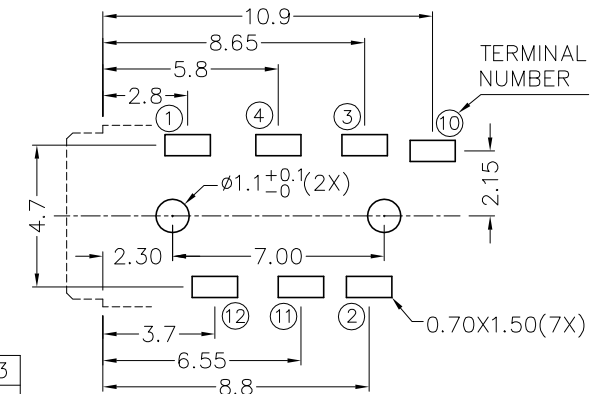
RoHS  
Compliant

ZONE	SYMBOL	REVISION	APPROVAL	DATE

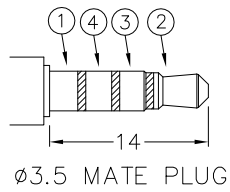


\* MATERIAL

TERMINAL 1 : COPPER ALLOY  
 TERMINAL 2 : COPPER ALLOY  
 TERMINAL 3 : COPPER ALLOY  
 TERMINAL 4 : COPPER ALLOY  
 TERMINAL 10 : BRASS  
 TERMINAL 11 : BRASS  
 TERMINAL 12 : BRASS  
 SHIELD : STAINLESS STEEL  
 HOUSING : PA6T



PCB LAYOUT  
(BOTTOM VIEW)



MODEL NO.	TSH-3917S1-3	TSH-3916AS1-3	TSH-3915AS1-3	TSH-3914S1-3	TSH-3915S1-3
SCHEMATIC					



**CHAMPWAY** 冠泰電子有限公司  
CHAMPWAY ELECTRONICS CO., LTD.

DESIGN	T.Y.LI	DATE	25-7-2007	SCALE	4:1
DRAWING	T.Y.LI	DATE	25-7-2007	MATERIAL	*
CHECK		DATE		DWG. NO.	TZ\SH391S1-3-PA6T/A
APPROVAL		DATE		SHEET	

PART NAME	3.5mm STEREO JACK W/HANDING SHIELD	TOLERANCE UNLESS	0.0±0.2	UNIT:	mm
PART NO.	TSH-391S1-3	OTHERWISE SPECIFIED:	0.00±0.1 0.000±0.05		

F

E

D

C

B

A